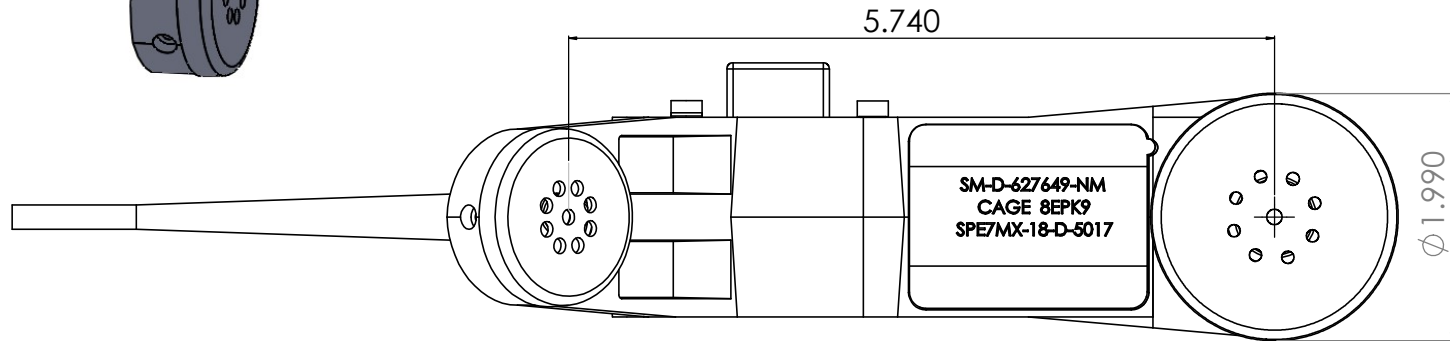


M55116/1-3 CONNECTOR



NOTES:

1. SPECIFICATION: MIL-PRF-49078A (HANDSET H-250/U).
2. DYNAMIC NOISE CANCELING MICROPHONE 150 OHMS
3. DYNAMIC EARPHONE 1.0k OHMS.
4. WATER PROOF TO 3 FEET.
5. 2 FOOT RETRACTED CORD TERMINATED WITH M55116/1-3 CONNECTOR

PROPRIETARY AND CONFIDENTIAL
 THIS DRAWING IS THE PROPERTY OF
 HARRIS CORPORATION. IT IS TO BE USED
 ONLY FOR THE PURPOSES SPECIFIED
 HEREON. IT IS NOT TO BE REPRODUCED
 OR TRANSMITTED IN ANY FORM OR BY
 ANY MEANS, ELECTRONIC OR MECHANICAL,
 INCLUDING PHOTOCOPYING, RECORDING,
 OR BY ANY INFORMATION STORAGE AND
 RETRIEVAL SYSTEM, WITHOUT THE
 WRITTEN PERMISSION OF HARRIS
 CORPORATION.

UNLESS OTHERWISE SPECIFIED:		NAME	DATE
DIMENSIONS ARE IN INCHES	DRAWN	MC	5/25/07
TOLERANCES	CHECKED		
FRACTIONS	ANGULAR MATCH	BWD	
THREE PLACE DECIMAL	THREE PLACE DECIMAL	MEG APPR.	
		CLA	
		COMMENTS	
USED ON	INSTR.		
NEXT ASST			
APPLICATION	DO NOT SCALE DRAWING		

LIVE WIRE
 TITLE: HANDSET H-250
 NO METAL
 SIZE DWG. NO. REV
D SM-D-627649-NM
 SCALE: 2:1 WEIGHT: SHEET 1 OF 1