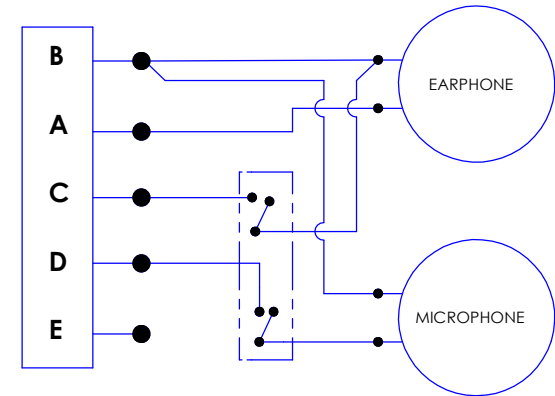
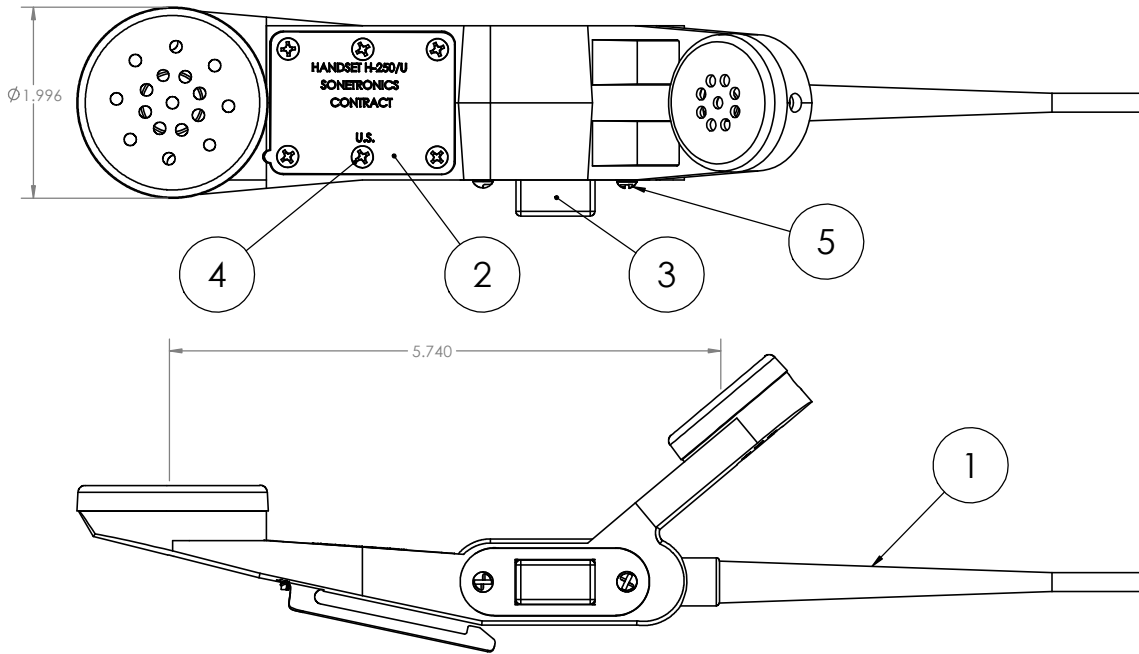
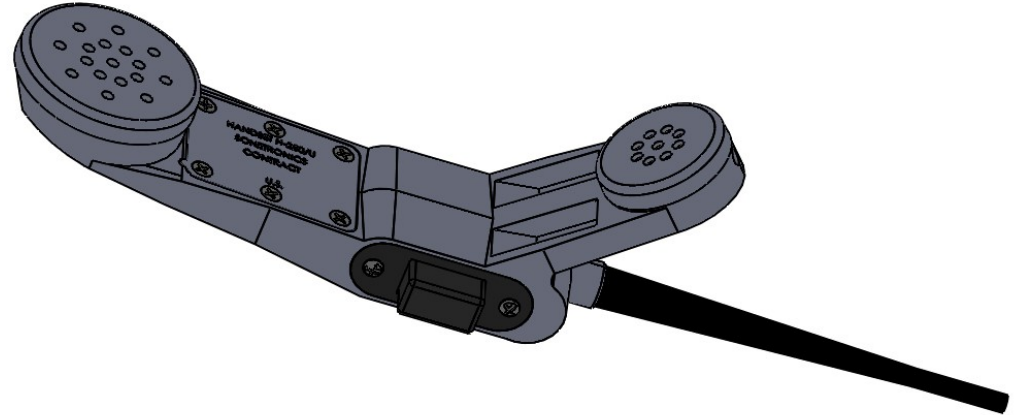


CONNECTOR TYPES	NSN	PART NUMBER
LIGHTWEIGHT CABLE WITH LIGHT WEIGHT U-182B/U CONNECTOR	5965-00-043-3463	HE-250-182
STANDARD CABLE WITH U-229/U CONNECTOR	5965-00-043-3463	HE-250-229
STANDARD CABLE WITH U-229A/U CONNECTOR	5965-01-247-4723	HE-250-229A
STANDARD CABLE WITH M55116/1-3 CONNECTOR	5965-00-043-3463	HE-250-55116



HANDSET SCHEMATIC

NOTES:

1. SPECIFICATION: MIL-PRF-49078A (HANDSET H-250/U)
2. INTERCHAGEABLE WITH THE H-189/GR
3. EARPHONE: 1000 OHMS
4. MICROPHONE: 150 OHMS
5. SWITCH: PUSH-TO-TALK WITH MAKE/BREAK SEQUENCE

ITEM	QTY	PART NO.	DESCRIPTION
5	2	SM-B-627673	SCREW
4	6	SM-C-627671	SCREW
3	1	SM-C-627671	SWITCH ASSY.
2	1	SM-C-627662	COVER TERMINATIONN CAVITY
1	1	SM-D-627669	CABLE S/A

PROPRIETARY AND CONFIDENTIAL
 THE INFORMATION CONTAINED IN THIS DRAWING IS THE SOLE PROPERTY OF
 ©BERT COMPANY NAME HERE. ANY
 REPRODUCTION IN PART OR AS A WHOLE
 WITHOUT THE WRITTEN PERMISSION OF
 ©BERT COMPANY NAME HERE IS
 PROHIBITED.

UNLESS OTHERWISE SPECIFIED:	NAME	DATE
DIMENSIONS ARE IN INCHES	MC	10-22-20
TOLERANCES:		
FRACTIONAL ±	DRAWN	
ANGULAR: MATCH ± BEND ±	CHECKED	
TWO PLACE DECIMAL ±	ENG APPR.	
THREE PLACE DECIMAL ±	MFG APPR.	
INTERPRET GEOMETRIC TOLERANCING PER:	Q.A.	
MATERIAL:	COMMENTS:	
NEXT ASSY	USED ON	FINISH
APPLICATION		DO NOT SCALE DRAWING

LIVE WIRE LLC

TITLE:
HANDSET H-250/U

SIZE DWG. NO. REV
C SM-D-889337.

SCALE: 1:1 WEIGHT: SHEET 1 OF 1