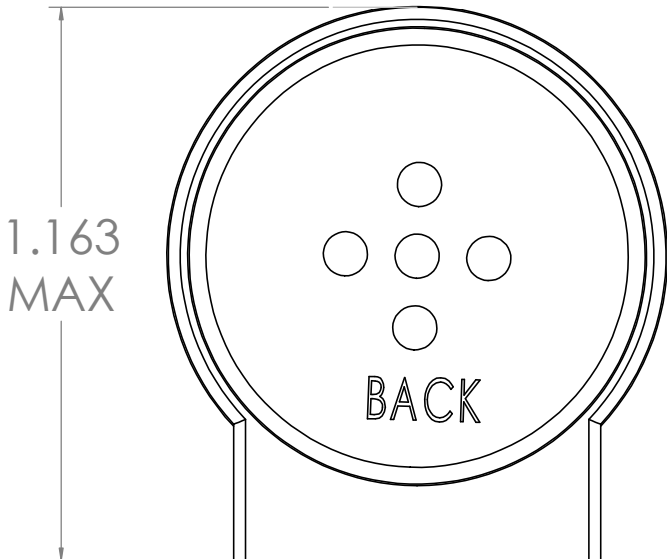
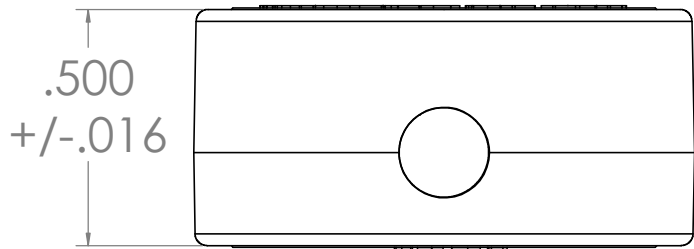
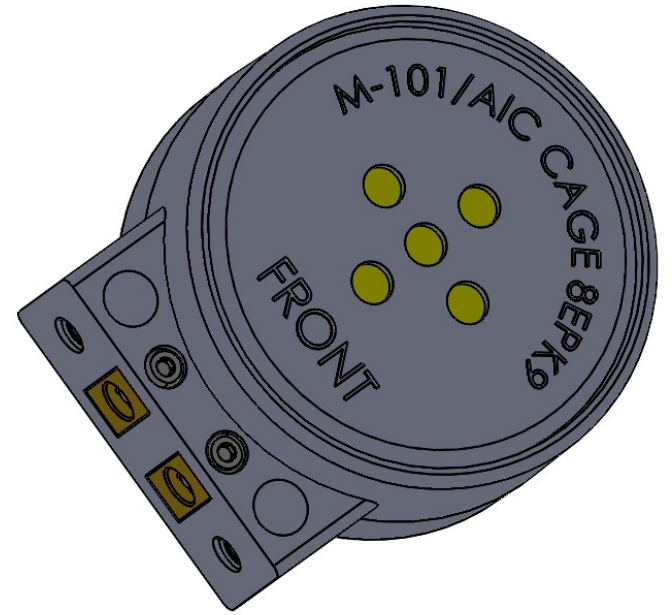


1.047 DIA. MAX



1.163
MAX

NOTES:

1. SPECIFICATION: MIL-PRF-26542F
2. SLASH SHEET: MIL-PRF-26542/4F
3. SENSITIVITY: 36dB - 43dB / 103 dB INPUT
4. TYPE: DYNAMIC
5. IMPEDANCE: 5 OHM +/- 1.0 OHM
6. FREQUENCY RESPONSE: 200 Hz - 6.0kHz
7. ALTITUDE COMPENSATING
8. COLOR: BLACK
9. MATES: U-173/U CONNECTOR

PROPRIETARY AND CONFIDENTIAL
THE INFORMATION CONTAINED IN THIS DRAWING IS THE SOLE PROPERTY OF HERBERT COMPANY NAME HERE. ANY REPRODUCTION IN PART OR AS A WHOLE WITHOUT THE WRITTEN PERMISSION OF HERBERT COMPANY NAME HERE IS PROHIBITED.

| | | | | |
|---|--|-----------|---------|-----------------------|
| UNLESS OTHERWISE SPECIFIED: | | NAME | DATE | LIVE WIRE |
| DIMENSIONS ARE IN INCHES TOLERANCES: $\pm .010$ FRACTIONAL \pm ANGULAR: MATCH \pm BEND \pm TWO PLACE DECIMAL \pm THREE PLACE DECIMAL \pm | | MC | 12/3/20 | |
| INTERPRET GEOMETRIC TOLERANCING PER: MATERIAL: | | CHECKED | | SIZE DWG. NO. |
| NEXT ASSY | | ENG APPR. | | C M-101_AIC-LW |
| USED ON | | MFG APPR. | | REV |
| APPLICATION | | Q.A. | | SCALE: S:1 |
| DO NOT SCALE DRAWING | | COMMENTS: | | WEIGHT: |
| | | | | SHEET 1 OF 1 |