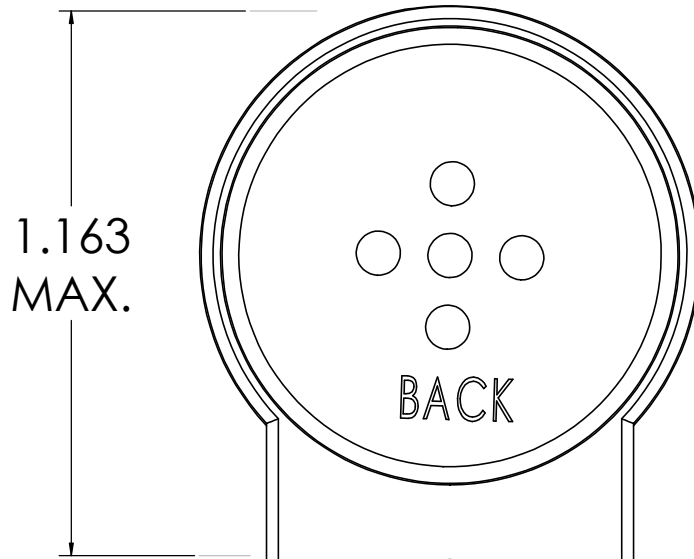
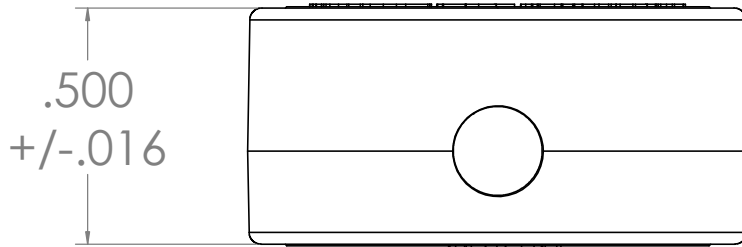
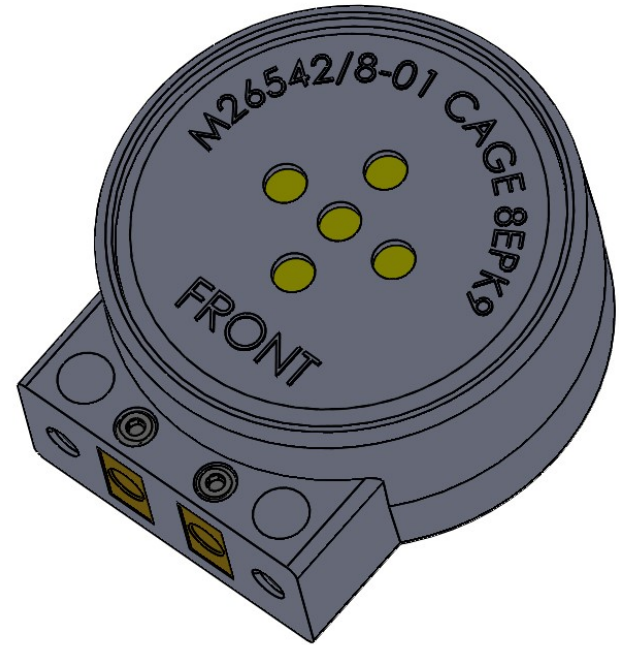


1.047 DIA. MAX.



NOTES:

1. SPECIFICATION: MIL-PRF-26542F
2. SLASH SHEET: MIL-PRF-26542/8C
3. SENSITIVITY: 56dB MIN./ 103 dB INPUT
4. TYPE: DYNAMIC
5. IMPEDANCE: 150 OHM +/- 15%
6. FREQUENCY RESPONSE: 300 Hz - 6.0kHz
7. WATER PROOF
8. COLOR: BLACK
9. MATES: U-173/U CONNECTOR

PROPRIETARY AND CONFIDENTIAL
 THE INFORMATION CONTAINED IN THIS DRAWING IS THE SOLE PROPERTY OF [INSERT COMPANY NAME HERE]. ANY REPRODUCTION IN PART OR AS A WHOLE WITHOUT THE WRITTEN PERMISSION OF [INSERT COMPANY NAME HERE] IS PROHIBITED.

UNLESS OTHERWISE SPECIFIED:		NAME	DATE	LIVE WIRE TITLE: MICROPHONE DYNAMIC M26542/8-01 SIZE DWG. NO. C M26542_8-01-LW SCALE: 5:1 WEIGHT: SHEET 1 OF 1
DIMENSIONS ARE IN INCHES		MC	12/3/20	
TOLERANCES: $\pm .010$		CHECKED		
FRACTIONAL \pm		ENG APPR.		
ANGULAR: MATCH \pm BEND \pm		MFG APPR.		Q.A.
TWO PLACE DECIMAL \pm				COMMENTS:
THREE PLACE DECIMAL \pm				
INTERPRET GEOMETRIC TOLERANCING PER:				
MATERIAL:				
NEXT ASSY	USED ON	FINISH		
APPLICATION		DO NOT SCALE DRAWING		