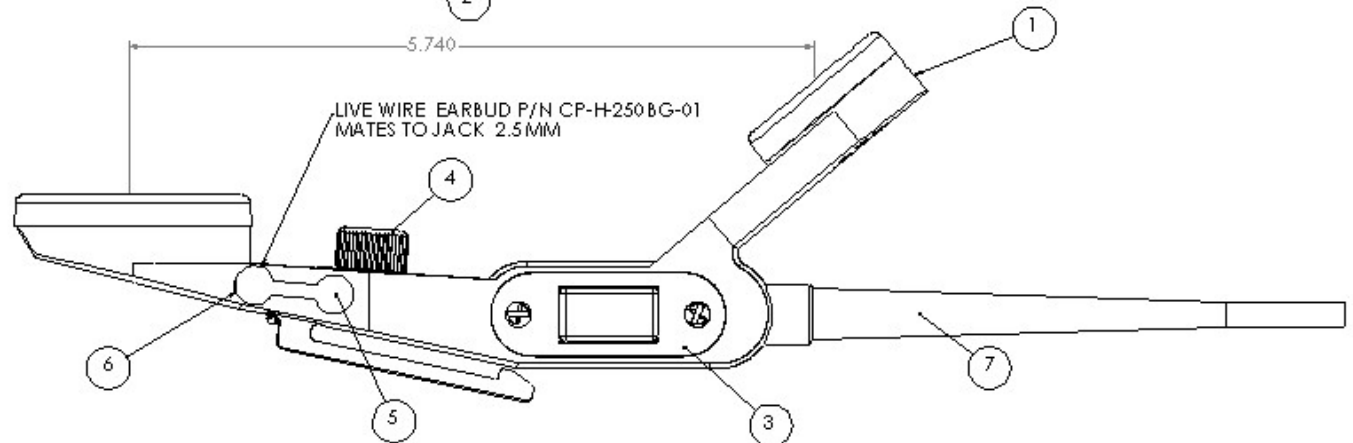
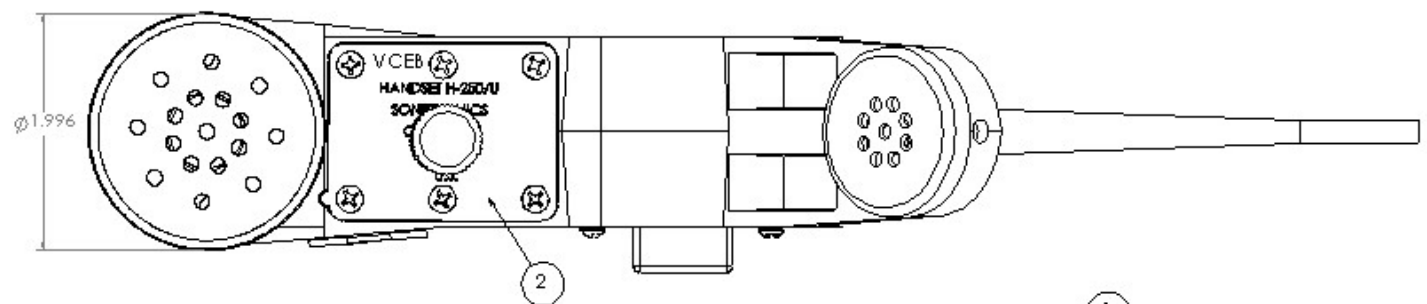


U-229 CONNECTOR



NOTES:  
1. SPECIFICATION: MIL-PRF-49078A (HANDSET H-250/U)

7	1	SMD-627669	CABLES/A
6	1	HS0150	PHONE JACK 2.5MM
5	1	D P-TR2A-001	PHONE JACK DUST COVER
4	1	HS0119	POTENTIOMETER
3	1	HS01201	SWITCH PLATE
2	1	HS104	CAVITY COVER
1	1	SMD-889337	H-250VCEB COMPLETE HANDSET
ITEM	QTY	PART NO.	DESCRIPTION

<p><b>LIVE WIRE LLC</b>          HANDSET H-250VCEB          SMD-889337          SMD-889337          H-250VCEB</p>		<p>DATE: 11/15/21          DRAWN: JWB</p>
---	--	---